



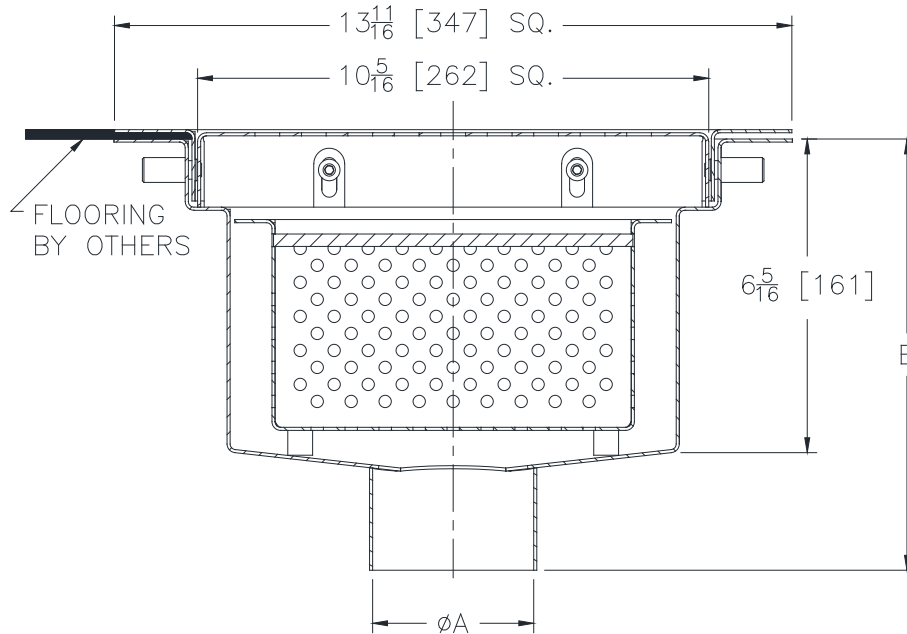
Z1855

13-3/8 [340] SQ. SANI-FLOR RECEPTOR 6 [152] SUMP
W/ ADJUSTABLE BODY OVERLAPPING CLAMP FRAME,
TAPERED BOTTOM AND SEDIMENT BUCKET

SPECIFICATION SHEET

TAG _____

Design and Dimensional Data (inches and [mm]) are Subject to Manufacturing Tolerances and Change Without Notice



'A' Pipe Size In. [mm]	Approx. Wt. Lbs. [kg]	Grate Open Area Sq.In. [cm ²]
2, 3, 4 [51, 76, 102]	10 [5]	16 [262]

ENGINEERING SPECIFICATION: ZURN Z1855

13-3/8" [340mm] Square x 6" [152mm] deep, 16 gage, All Type 304 (CF8) Fabricated stainless steel light-duty Sani-Flor receptor with Integral flooring body overlapping clamp frame, 3/8" [10mm] sloped bottom from edge of body to the outlet, and non-tilt loose-set full grate with sediment bucket for unlevel floor installations.

OPTIONS (Check/specify appropriate options)

PIPE SIZE

2, 3, 4 [51, 76, 102]

(Specify size/type) **OUTLET**

___ NH No-Hub

'E' BODY HT. DIM.

8 [203]

PREFIXES

___ Z Type 304 (CF8) Stainless Steel Body*
___ ZM Type 316 (CF8M) Stainless Steel

SUFFIXES

___ -P 1/2 [13] Trap Primer Connection
___ -2 1/2 Grate
___ -3 3/4 Grate

* Regularly furnished unless otherwise specified

⚠ WARNING: Cancer and Reproductive Harm - www.P65Warnings.ca.gov

⚠ ADVERTENCIA: Cáncer y daño reproductivo - www.P65Warnings.ca.gov

⚠ AVERTISSEMENT: Cancer et effets néfastes sur la reproduction - www.P65Warnings.ca.gov

Zurn Industries, LLC | Specification Drainage Operation
1801 Pittsburgh Avenue, Erie, PA 16502, Ph. 855.663.9876

In Canada | Zurn Industries Limited
7900 Goreway Drive, Unit 10, Brampton, Ontario L6T 5W6, Ph. 877.892.5216

www.zurn.com

Rev. A
Date: 3/15/2023
C.N. No. 145186
Prod. | Dwg. No. Z1855